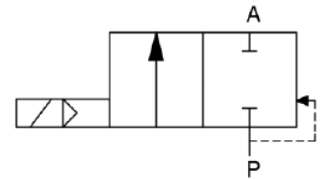


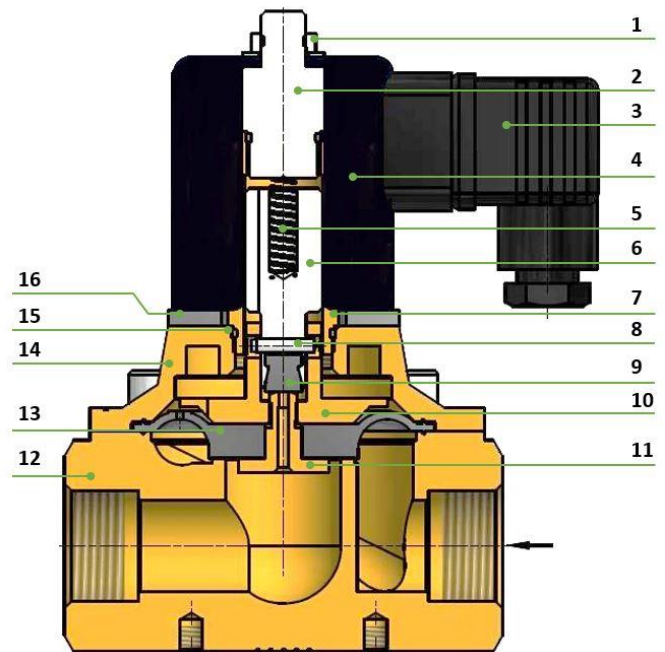
Normal position	NC
Housing	Brass (CW614N)
Ambient temperature	-10 °C to 50 °C
Medium temperature	-10 °C to 100 °C (FPM) -20 °C to 85 °C (NBR)

Mounting position	Solenoid preferably in upright position
Protection IP	IP 65 (with connector socket fitted)
Electrical connection	Connector socket, industrial standard type A – EN 175301-803-A
Voltage tolerance	± 10% acc. VDE 0580
Power	230V 50Hz: 20VA 110V AC: 17.6VA 24V DC: 20VA 24V AC: 18.5W 12V DC: 33W
Duty cycle	100% ED



Materials

No.	Part	Material
1	Nut	Galvanised steel
2	Pole core	Stainless steel
3	Connector socket	Plastic
4	Solenoid	Powder coated steel
5	Spring	Stainless steel
6	Plunger	Stainless steel
7	Guide tube	Brass
8	Pin	Stainless steel
9	Sealing plug	FPM/NBR
10	Seat disc	Brass
11	Nozzle	Brass
12	Housing	Brass
13	Diaphragm	FPM/NBR
14	Flange	Brass
15	O-Ring	FPM/NBR
16	Sealing	NBR



P 3-544 e

2/2-way solenoid valves

combined operation
professional standard series
Art. No. 129402 to 129466

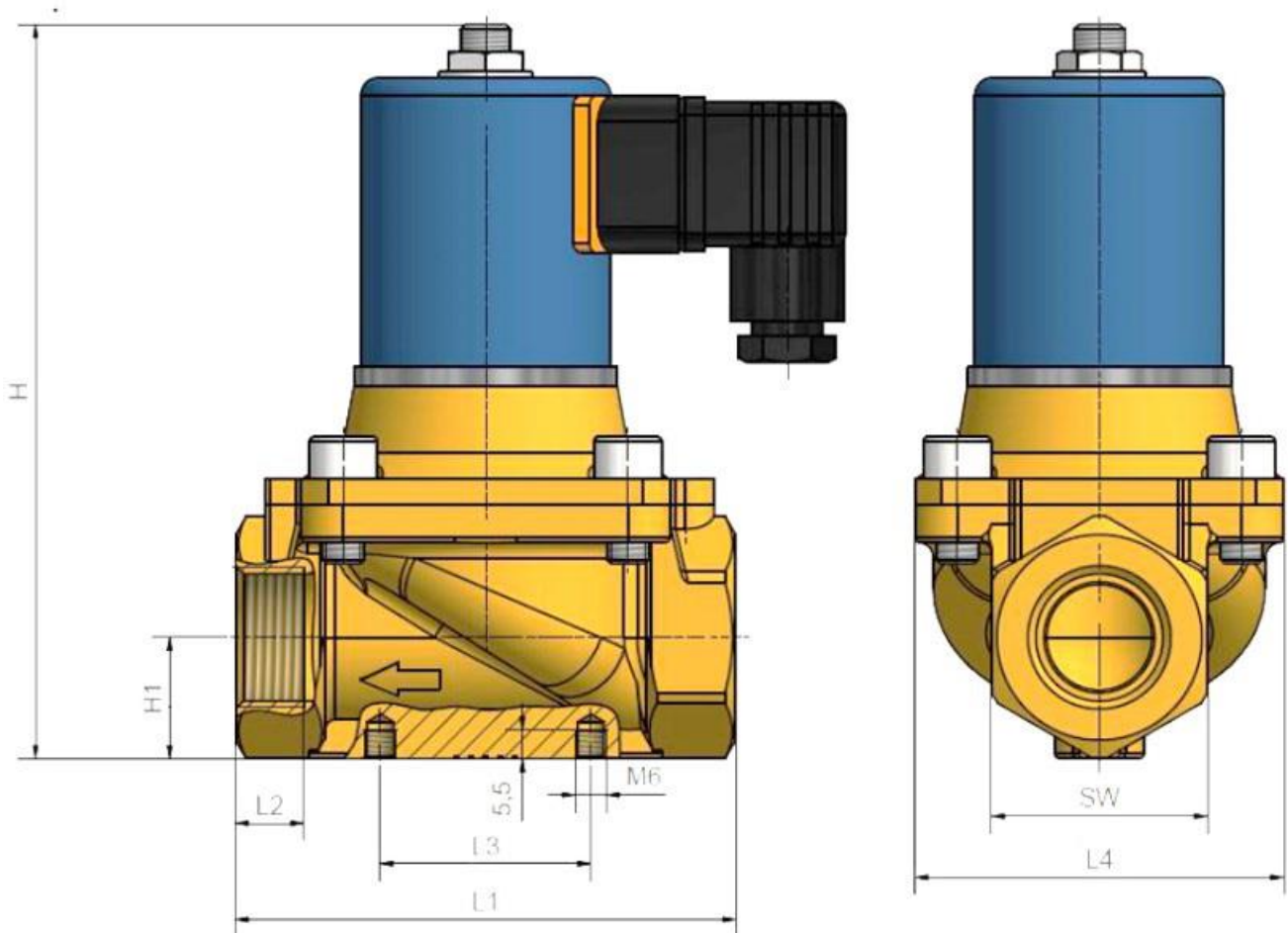


Solenoid valve, normally closed, combined operation, alternating current

Art. No.	Type No.	Thread	DN	Voltage	Sealant	Operating pressure bar	Flow rate m ³ /h
129402	MVA.34.MS.230.F.RZ.20	G 3/4	20	230V AC	FPM	0 - 12	6.2
129416	MVA.34.MS.24A.F.RZ.20	G 3/4	20	24V AC	FPM	0 - 12	6.2
129423	MVA.34.MS.110.F.RZ.20	G 3/4	20	110V AC	FPM	0 - 12	6.2
129437	MVA.34.MS.230.N.RZ.20	G 3/4	20	230V AC	NBR	0 - 12	6.2
129451	MVA.34.MS.24A.N.RZ.20	G 3/4	20	24V AC	NBR	0 - 12	6.2
129458	MVA.34.MS.110.N.RZ.20	G 3/4	20	110V AC	NBR	0 - 12	6.2
129403	MVA.1.MS.230.F.RZ.25	G 1	25	230V AC	FPM	0 - 12	7.1
129417	MVA.1.MS.24A.F.RZ.25	G 1	25	24V AC	FPM	0 - 12	7.1
129424	MVA.1.MS.110.F.RZ.25	G 1	25	110V AC	FPM	0 - 12	7.1
129438	MVA.1.MS.230.N.RZ.25	G 1	25	230V AC	NBR	0 - 12	7.1
129452	MVA.1.MS.24A.N.RZ.25	G 1	25	24V AC	NBR	0 - 12	7.1
129459	MVA.1.MS.110.N.RZ.25	G 1	25	110V AC	NBR	0 - 12	7.1

Solenoid valve, normally closed, combined operation, direct current

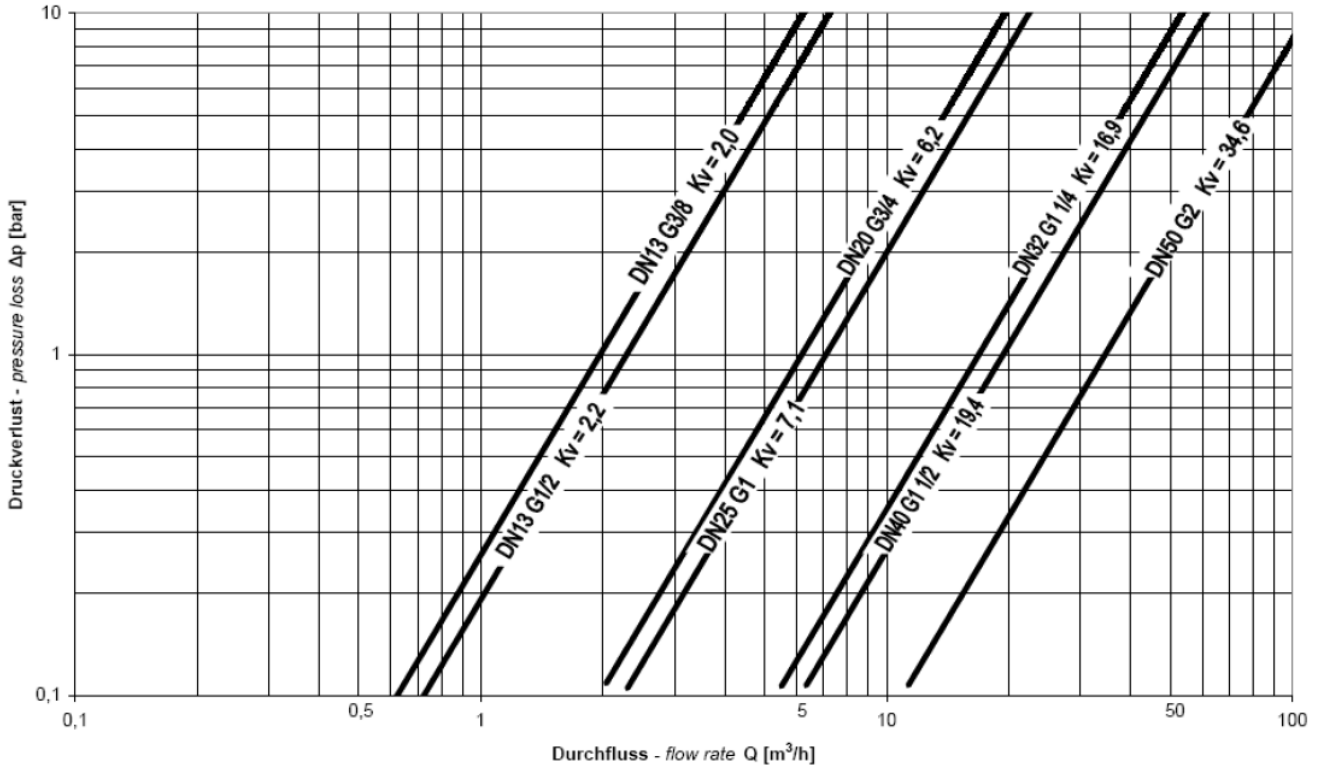
Art. No.	Type No.	Thread	DN	Voltage	Sealant	Operating pressure bar	Flow rate m ³ /h
129409	MVA.34.MS.24D.F.RZ.20	G 3/4	20	24V DC	FPM	0 - 12	6.2
129430	MVA.34.MS.12.F.RZ.20	G 3/4	20	12V DC	FPM	0 - 12	6.2
129444	MVA.34.MS.24D.N.RZ.20	G 3/4	20	24V DC	NBR	0 - 12	6.2
129465	MVA.34.MS.12.N.RZ.20	G 3/4	20	12V DC	NBR	0 - 12	6.2
129410	MVA.1.MS.24D.F.RZ.25	G 1	25	24V DC	FPM	0 - 12	7.1
129431	MVA.1.MS.12.F.RZ.25	G 1	25	12V DC	FPM	0 - 12	7.1
129445	MVA.1.MS.24D.N.RZ.25	G 1	25	24V DC	NBR	0 - 12	7.1
129466	MVA.1.MS.12.N.RZ.25	G 1	25	12V DC	NBR	0 - 12	7.1



Dimensions

Thread	SW	H	H1	L1	L2	L3	L4
	mm	mm	mm	mm	mm	mm	mm
G 3/4	41	139.0	23.0	95.0	13.0	40.0	70.0
G 1	41	139.0	23.0	95.0	13.0	40.0	70.0

Druckverlust, K_V -Werte:
Pressure loss, K_V -value:



Umrechnung:
conversion: $C_v = K_V / 0,865$